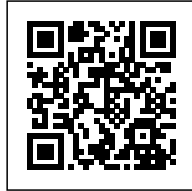
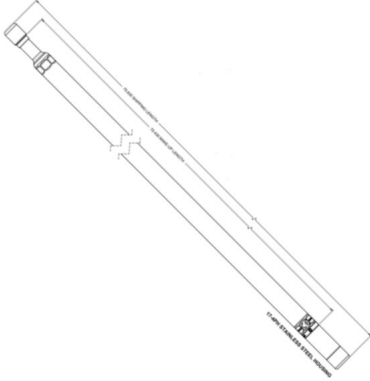


MEMORY BATTERY SUB - HD - 1 11/16 IN.



SKU: MBS006

Categories: [Cased Hole Wireline](#), [HD Platform™](#), [Memory](#)

PRODUCT DESCRIPTION

The Memory Battery Sub (MBS006) is used specifically for the memory RAS (RAS002) logging applications. The tool houses the battery pack.

Ratings & Dimensions

Diameter	1.69 in (43.0 mm)
Max temperature	320°F (160°C)
Max pressure	15,000 psi (103.4 mPa)
Materials	Corrosion resistant materials used throughout

Hardware Characteristics

Combinability	RAS only
Upper Connection	¹⁵ / ₁₆ " UN thread

Electrical Specifications

Battery pack	15 x CC cell
Nominal	58.5 V for a 50 V operating voltage
Cell voltage	3.9 V
Chemistry	Lithium Sulfuryl Chloride
Discharge	3% per year at 77°F (25°C)
Temperature Range	-4°F to 320°F (-20°C to 160°C)

* Temperature range is determined by the battery pack. Typical battery packs are rated between -4°F to 320°F (-20°C to 160°C).

Version Control: 2021.11.11



On-line specifications are for REFERENCE ONLY and subject to change without notice. DO NOT USE FOR FIELD OPERATIONS.