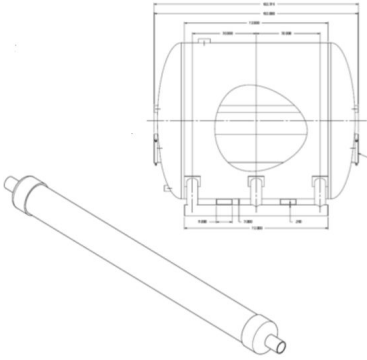


## RAS CALIBRATION TANK & CALIBRATION TANK INSERT - HD



**SKU:** CTI001

**Categories:** [Cased Hole Wireline](#), [Formation Evaluation](#), [HD Platform™](#), [Pulsed Neutron](#), [RAS](#)

### PRODUCT DESCRIPTION

The RAS Calibration / Verification Tank & Insert (CTI001) allows for periodic verification of correct tool operation and allows the tool to be tested at surface in a safe fashion.

The tank is fabricated from steel and filled with water. The water provides excellent shielding and a known point for the tool verification.

The Calibration Tank Insert provides a “hydrocarbon” point during testing and verification.

Version Control: 2021.11.29

---

***On-line specifications are for REFERENCE ONLY and subject to change without notice. DO NOT USE FOR FIELD OPERATIONS.***